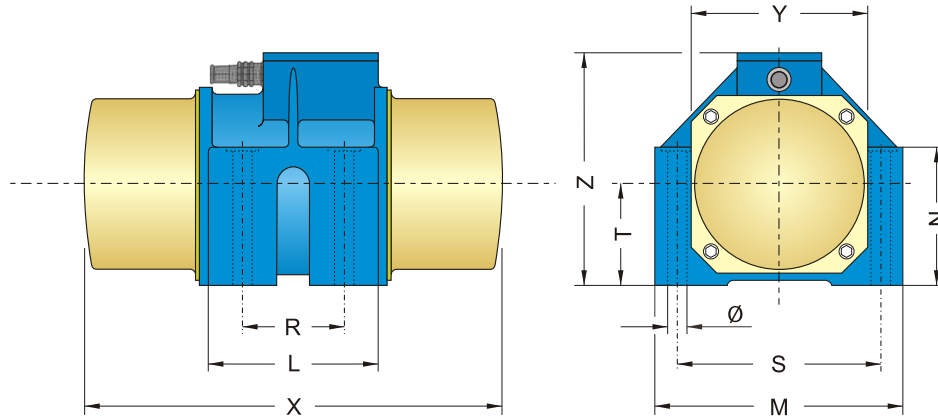


## Baugröße - Size - Modèle: A4.2

| Type   | 50/60 Hz   |   | Leistungsaufnahme<br>Power consumption<br>Puissance absorbée | Nennstrom bei 400V [250V]<br>Rated current at 400V [250V]<br>Courant nominal à 400V [250V] | Leistungsfaktor<br>Power factor<br>Facteur de puissance | Anlaufstrom / Nennstrom<br>Starting current / Rated c.<br>C. de démarr. / C. nomin. | Bohrbild<br>Drilling pattern<br>Plan de perçage |      |      | Fußmaße<br>Mounting dimensions<br>Dimensions pied |      |      | Motormaße<br>Motor dimensions<br>Dimensions moteur |      |      |      | Gewicht<br>Weight<br>Poids |
|--|--|---|--|--|---|---|---|------|------|---|------|------|--|------|------|------|----------------------------|
|  | Arbeitsmoment<br>Working torque<br>Couple de service | Fliehkraft<br>Centrifugal force<br>Force centrifuge |  |  |   |   | R   | S    | Ø    | L   | M    | N    | X  | Y    | Z    | T    |                            |
| [kgcm]   | [kN]   | [KW]  | [A]  | cos  | IN/IA   | [mm]  | [mm]  | [mm] | [mm] | [mm]  | [mm] | [mm] | [mm]   | [mm] | [mm] | [mm] | [Kg]                       |
| <b>2-polig-50/60 Hz-3000/3600 min<sup>-1</sup></b> |  |   |  |  |   |   |   |      |      |   |      |      |  |      |      |      |                            |
| A42-29-2   | 30/21  | 14,80   | 1,10   | 1,89   | 0,84  | 5,86  | 100   | 180  | 17   | 148   | 248  | 125  | 362  | 168  | 210  | 87   | 34,5                       |
| A42-35-2   | 37/26  | 18,26   | 2,10   | 3,35   | 0,92  | 7,02  | 100   | 180  | 17   | 148   | 248  | 125  | 397  | 168  | 210  | 87   | 36,5                       |
| <b>4-polig- 200 Hz-6000 min<sup>-1</sup></b>       |  |   |  |  |   |   |   |      |      |   |      |      |  |      |      |      |                            |
| AH42-14-4  |  | 13,32   | 2,00   | [5,40]   | 0,82  | 5,90  | 100   | 180  | 17   | 148   | 248  | 125  | 362  | 168  | 210  | 87   | 29,8                       |
| AH42-16-4  |  | 14,80   | 2,00   | [5,40]   | 0,82  | 5,90  | 100   | 180  | 17   | 148   | 248  | 125  | 362  | 168  | 210  | 87   | 30,2                       |
| AH42-18-4  |  | 17,76   | 2,00   | [5,40]   | 0,82  | 5,90  | 100   | 180  | 17   | 148   | 248  | 125  | 362  | 168  | 210  | 87   | 30,6                       |
| AH42-20-4  |  | 19,24   | 2,00   | [5,40]   | 0,82  | 5,90  | 100   | 180  | 17   | 148   | 248  | 125  | 362  | 168  | 210  | 87   | 31,0                       |



## Baugröße - Size - Modèle: A4.3

| Type   | 50/60 Hz   |   | Leistungsaufnahme<br>Power consumption<br>Puissance absorbée | Nennstrom bei 400V [250V]<br>Rated current at 400V [250V]<br>Courant nominal à 400V [250V] | Leistungsfaktor<br>Power factor<br>Facteur de puissance | Anlaufstrom / Nennstrom<br>Starting current / Rated c.<br>C. de démarr. / C. nomin. | Bohrbild<br>Drilling pattern<br>Plan de perçage |      |      | Fußmaße<br>Mounting dimensions<br>Dimensions pied |      |      | Motormaße<br>Motor dimensions<br>Dimensions moteur |      |      |      | Gewicht<br>Weight<br>Poids |
|--|--|---|--|--|---|---|---|------|------|---|------|------|--|------|------|------|----------------------------|
|  | Arbeitsmoment<br>Working torque<br>Couple de service | Fliehkraft<br>Centrifugal force<br>Force centrifuge |  |  |   |   | R   | S    | Ø    | L   | M    | N    | X  | Y    | Z    | T    |                            |
| [kgcm]   | [kN]   | [KW]  | [A]  | cos  | IN/IA   | [mm]  | [mm]  | [mm] | [mm] | [mm]  | [mm] | [mm] | [mm]   | [mm] | [mm] | [mm] | [Kg]                       |
| <b>2-polig-50/60 Hz-3000/3600 min<sup>-1</sup></b> |  |   |  |  |   |   |   |      |      |   |      |      |  |      |      |      |                            |
| A43-29-2   | 30/21  | 14,80   | 1,10   | 1,89   | 0,84  | 5,86  | 95  | 180  | 17   | 148   | 248  | 142  | 362  | 168  | 210  | 87   | 34,5                       |
| A43-35-2   | 37/26  | 18,26   | 2,10   | 3,35   | 0,92  | 7,02  | 95  | 180  | 17   | 148   | 248  | 142  | 397  | 168  | 210  | 87   | 36,5                       |
| <b>4-polig- 200 Hz-6000 min<sup>-1</sup></b>       |  |   |  |  |   |   |   |      |      |   |      |      |  |      |      |      |                            |
| AH43-14-4  |  | 13,32   | 2,00   | [5,40]   | 0,82  | 5,90  | 95  | 180  | 17   | 148   | 248  | 142  | 362  | 168  | 210  | 87   | 29,8                       |
| AH43-16-4  |  | 14,80   | 2,00   | [5,40]   | 0,82  | 5,90  | 95  | 180  | 17   | 148   | 248  | 142  | 362  | 168  | 210  | 87   | 30,2                       |
| AH43-18-4  |  | 17,76   | 2,00   | [5,40]   | 0,82  | 5,90  | 95  | 180  | 17   | 148   | 248  | 142  | 362  | 168  | 210  | 87   | 30,6                       |
| AH43-20-4  |  | 19,24   | 2,00   | [5,40]   | 0,82  | 5,90  | 95  | 180  | 17   | 148   | 248  | 142  | 362  | 168  | 210  | 87   | 31,0                       |